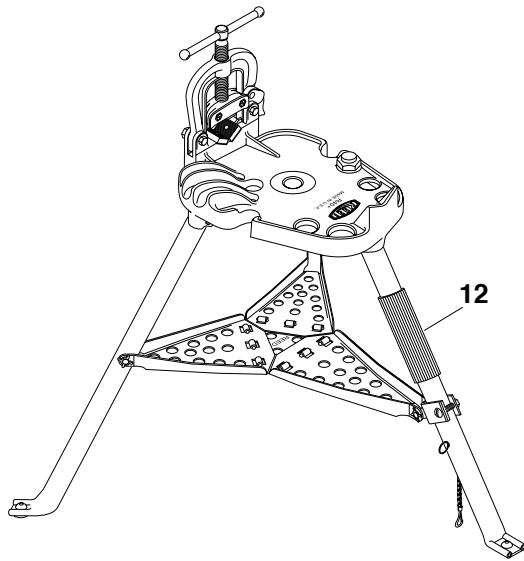




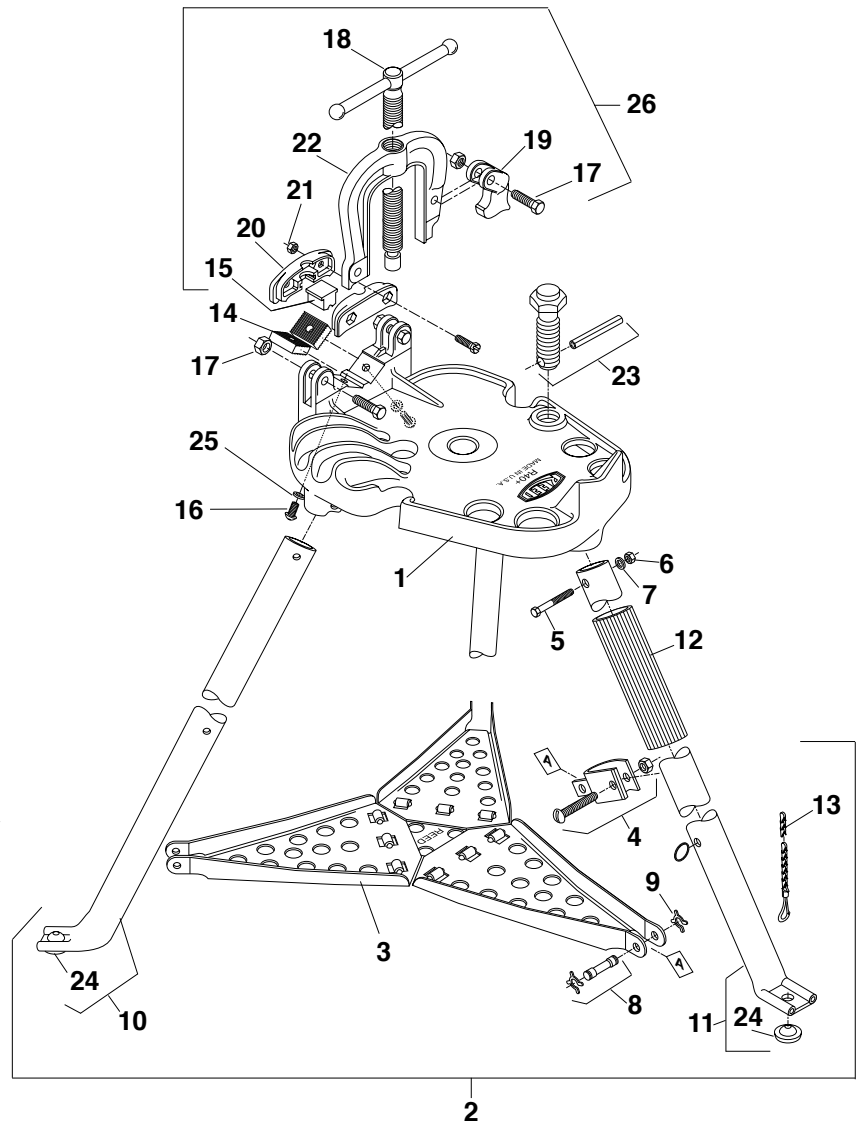
PIPE TOOLS & VISES  
SINCE 1896

# Yoke Vise Tripod (R40+)

## Replacement Parts



Capacity: 1/8" Through 2 1/2"



## Parts List

Ref. No.	Description	REED (pack) Item Code	REED Item Code	Replaces RIDGID®	
				Cat No.	Old P/N
1	Base		99003	NI	NI
2	Leg & Tray Assembly		99052	40915	B-2007-X
3	Tool Tray		99004	41240	C-448
4	Tray Support Clamp w/screw & nut		99054	41235	D-488-X
5	Leg Bolt (3)	5 Pk=99070	30187	46670	E-868
6	Nut (3)	5 Pk=99071	30032	44225	E-1094
7	Lock Washer (3)	5 Pk=99072	30033	40930	E-1095
8	Tray Pins (3) w/ "X" Washers (6)		99053	41265	E-1375-X
9	"X" Washers (6)	5 Pk=99073	99010	41270	E-1377
10	Front Leg Assembly (2)		99057	41255	E-1385-X
11	Rear Leg Assembly		99058	41250	E-1389-X
12	Handle Grip		40183	—	—
13	Leg Chain Assembly		99055	40945	E-1444-X

Ref. No.	Description	REED (pack) Item Code	REED Item Code	Replaces RIDGID®	
				Cat No.	Old P/N
14	Jaws Lower (2)		92422	NI	NI
15	Upper Jaw		92421	NI	NI
16	Jaw Screws (2)		30054	—	—
17	Yoke Cap Screw & Nuts		99066	NI	NI
18	Handle & Screw Assembly		92423	—	—
19	Hook		92036	NI	NI
20	Crosshead (2)		92424	NI	NI
21	Screw & Nut (2)		99067	NI	NI
22	Yoke		92034	NI	NI
23	Jack Screw Assembly		99064	41230	E-3207-X
24	Grommet (3)	5 Pk=99079	40171	40940	F-532
25	Jaw Screw Washer (2)		30033	—	—
26	Yoke Assembly		99068	NI	NI

NI - Not Interchangeable with Ridge Tool Co. parts. © RIDGID is a registered trademark of Ridge Tool Co.

Reed Manufacturing Company  
1425 West 8th Street  
Erie, PA 16502 USA



Phone: 800-666-3691 or 814-452-3691  
Fax: 800-456-1697 or 814-455-1697  
www.reedmfgco.com

RP-0118-02  
#50440

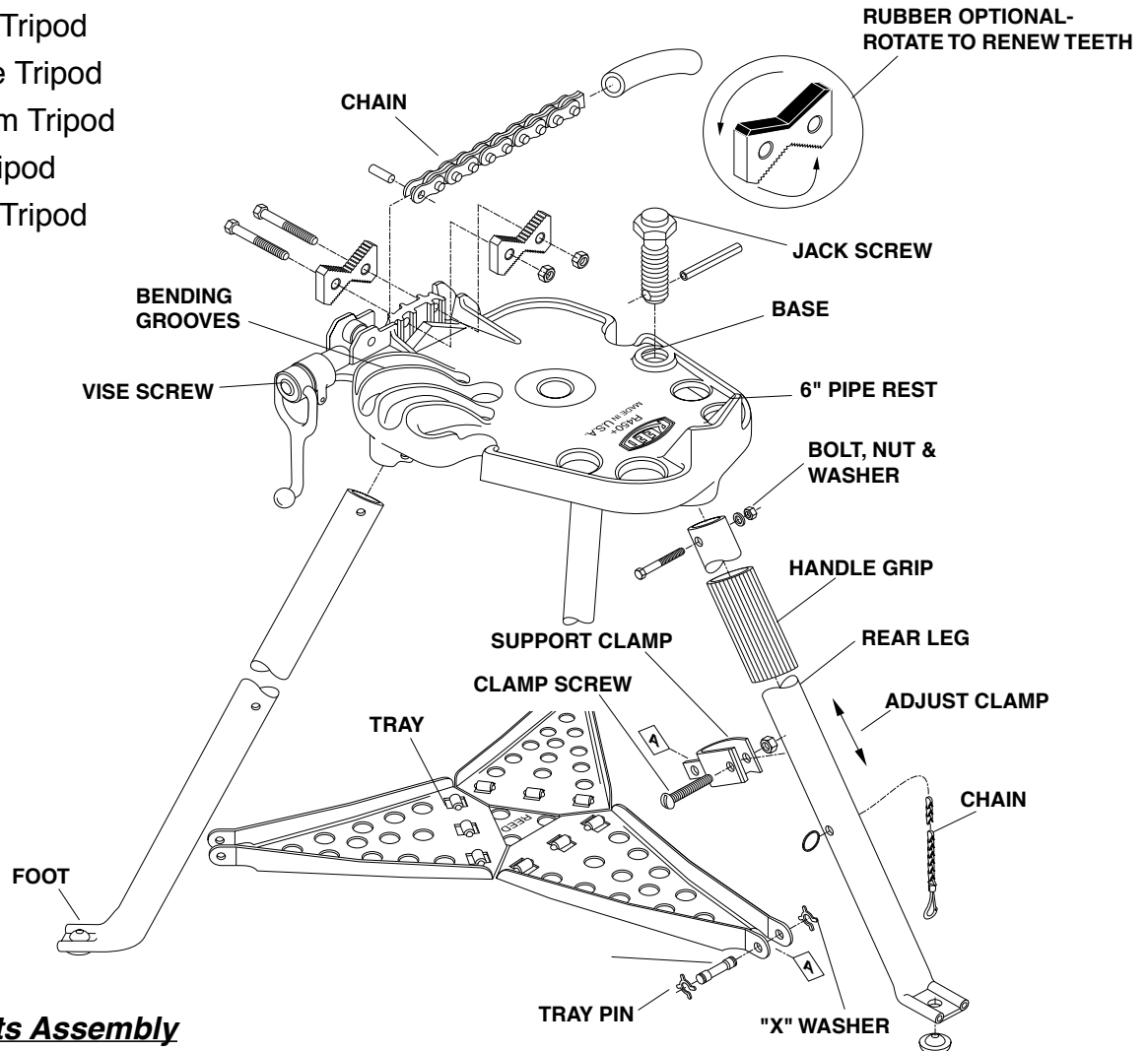
# R450+ & R40+ Series Tripods

## Operation & Instructions For Assembling Legs & Tray



R450+ Chain Vise Tripod  
R450P Plastic Pipe Tripod  
R450C Clean Room Tripod  
R40+ Yoke Vise Tripod  
R470+ Chain Vise Tripod

Patented



### **Replacement Parts Assembly**

- 1) For easier assembly, place the base upside down on a flat surface.
- 2) Insert rear leg in base with foot pointing outward as shown. Secure to base with bolt, nut, and washer. Tray support is pre-set with a clamp collar for approximate position and is adjustable. (see "Tray Adjustment" note below).
- 3) Insert front legs so feet are pointing outward and secure to base with bolts, washers, and nuts.
- 4) To assemble tray, open tray so that side of flanges are facing bottom of base. Attach the rear leg first with tray pin then proceed to front legs.
- 5) Push "X" washers in pin grooves and pinch long ends together with pliers.
- 6) Stand trisland on legs. If you have a yoke vise tripod, assemble yoke to base. The hook on the yoke can either be on the right or left side depending on operator.

### **Operation and Maintenance**

**JAWS** — To renew teeth—remove jaw screws and nuts, rotate jaws in either direction, replace jaw screws and nuts and tighten.

**TRAY ADJUSTMENT**— If folding tray does not snap into position and hold legs rigid when tripod is set up, loosen clamp screw in rear leg tray support and slide support clamp upward — tighten clamp screw securely.

**JACK SCREW** — Used with a length of 1" pipe as an adjustable ceiling brace to anchor tripod, but for large heavy pipe, fasten feet of tripod to floor securely.

**BENDERS** — Place pipe, conduit, or tubing into holes provided on base and pull down into grooves.

**HANDLE GRIP** — To install new handle grip over top of rear leg, insert compressed air hose nozzle under bottom edge and pull down while expanding with air flow.

**LUBRICATION** — Periodically lubricate the tray hinge, vise screw, jack screw, and chain with oil or spray silicone.